

R8-17...R30-17

Model: E26

en Assembly and Operating Instructions

Tubular drives for roller shutters with "plug & play" function when rigid shaft connectors are used

Important information for:

• Fitters / • Electricians / • Users

Please forward accordingly!

These instructions must be kept safe for future reference.

2010 301 085 0a 12/03/2021



Table of contents

General	3
Warranty	3
Safety instructions	4
Instructions for the user	4
Instructions for installation and commissioning	4
Intended use	6
Drive version with angled plug	6
Installation	7
Assembling the drive	7
Undoing the mounting pin	7
Drive adapter safety catch	7
Assembling the drive adapter with safety catch on the drive shaft	7
Disassembling the drive adapter with safety catch on the drive shaft	8
Assembling and disassembling the drive adapter with screw connection	8
Mounting the drive in the tube	8
Setting the limit positions	10
Deleting the limit positions using the programming unit	11
Deleting the limit positions with a rotary switch or a locking button	11
Obstruction detection / Blockage detection	12
Information for the electrician	12
Disposal	12
Maintenance	12
Technical data dia. 45	13
What to do if...?	13
Sample wiring diagrams	14
Declaration of conformity	16

General

These tubular drives are high-quality products with the following features:

- Optimised for roller shutter operation
- Automatic detection of limit positions thanks to intelligent electronic system with stop systems
- Obstruction detection in the down direction
- Blockage detection in upwards direction (e.g., end strip frozen to the window sill)
- The limit positions do not have to be reset: Changes in the shading solution are accommodated automatically when using stop systems.
- Drive puts the roller shutter curtain under low tensile load
- Soft upper stop
- Several drives can be operated in parallel
- Compatible with existing drives with electronic limit switching (4-core connecting cable)
- Compatible with the comprehensive range of the drive manufacturer's control units

Please observe these Assembly and Operating Instructions when installing and setting up the equipment.



The date of manufacture comes from the first four digits of the serial number.

The numbers 1 and 2 indicate the year and the numbers 3 and 4 indicate the calendar week.

Example: 34th calendar week in 2020

Ser. No.:	2034XXXXX
-----------	-----------

Explanation of pictograms

	CAUTION	CAUTION indicates a hazardous situation which, if not avoided, could result in injury.
	ATTENTION	ATTENTION indicates measures that must be taken to avoid damage to property.
		Denotes user tips and other useful information.

Warranty

Structural modifications and incorrect installation which are not in accordance with these and our other instructions can result in serious injuries, e.g., crushing of limbs. Therefore, structural modifications may only be carried out with our prior approval and strictly in accordance with our instructions, particularly the information contained in these Assembly and Operating Instructions. Any further processing of the products which does not comply with their intended use is not permitted.

The end product manufacturer and fitter have to ensure that all the relevant current statutory, official and, in particular, EMC regulations are adhered to during utilisation of our products, especially with regard to end product manufacture, installation and customer advice.



Safety instructions

The following safety instructions and warnings are intended to avert hazards and to prevent property damage and personal injury.

Instructions for the user

General information

- The drive must be disconnected from its power source during cleaning and maintenance and when replacing parts.
- All work, including maintenance and cleaning, on electrical installations as well as other system parts must always be performed by trained technicians, in particular qualified electricians.
- Children from the age of 8 years and persons with reduced physical, sensory or mental capabilities or lack of experience and/or knowledge may use these devices, provided they are supervised or have been instructed in the safe use of the device, and have understood the hazards involved. Children must not play with the device.
- Systems have to be checked regularly by authorised specialists for wear and damage.
- Always put damaged systems out of operation immediately until they are repaired by an authorised specialist.
- Do not operate equipment if people or objects are within the danger zone.
- Observe the danger zone of the equipment during operation.
- Ensure that there is adequate clearance (at least 40 cm) between moving parts and adjacent objects.



Caution

Safety instructions for avoiding serious injuries.

- **Crushing or shearing points must be avoided or protected.**

Instructions for installation and commissioning

General information

- Observe the safety instructions in EN 60335-2-97. Please note that this list of safety instructions is not exhaustive, since it would be impossible for the standard to include all sources of danger. For example, the design of the operated product, the way the drive works in the situation it is installed in or even the way the end product is mounted in the end user's place of use cannot be taken into consideration by the drive manufacturer.

If any questions or uncertainties regarding the safety instructions contained in the standard arise, please contact the manufacturer of the part or end product in question.

- All applicable standards and regulations for electrical installation must be complied with.
- All work, including maintenance and cleaning, on electrical installations as well as other system parts must always be performed by trained technicians, in particular qualified electricians.
- Only use spare parts, tools and accessory devices which have been approved by the drive manufacturer.
Unapproved third-party products or modifications to the system and its accessories represent a risk to your safety and the safety of others. This means that the use of unapproved third-party products, or modifications which have not been agreed with or approved by us, are prohibited. We do not accept liability for damage or injury arising from such actions.
- Position switch with OFF presetting within sight of the driven product, but away from moving parts, at a height of over 1.5 m. This must not be publicly accessible.
- Permanently mounted control devices must be positioned where they can be seen.
- Rated torque and duty cycle must be suitable for the requirements of the driven product.
Technical data - rated torque and service life can be found on the type plate of the tubular drive.

- Hazardous moving parts of the drive must be installed at a height of over 2.5 m above floor level or any other surface from which the drive can be accessed.
- To ensure safe operation of the system after commissioning, the limit positions must be correctly set/programmed in.
- Drives with a H05VV-F connecting cable may only be used indoors.
- Drives with a H05RR-F, S05RN-F or 05RN-F connecting cable may be used both indoors and outdoors.
- To connect the drive to the driven part, solely mechanical accessory components made by the drive manufacturer from the current product catalogue may be used. The components must be installed in accordance with the manufacturer's instructions.
- If the drive is used for shading solutions in a specially marked area (e.g., escape routes, hazard zones, safety areas), compliance with all applicable regulations and standards must be ensured.



Caution

Safety instructions for avoiding serious injuries.

- **When electrical or electronic equipment and units are operated, certain components, e.g., the power supply unit, are live. Physical injuries or damage to property can result in the event of unauthorised interventions or failure to heed warnings.**
- **Be careful when touching the tubular drive, as it heats up during operation for technical reasons.**
- **Before installation, shut down all lines and control devices that are not essential for operation.**
- **Crushing or shearing points must be avoided or protected.**
- **When installing the drive, all-pole disconnection from the mains with a contact gap of at least 3 mm per pole must be provided (EN 60335).**
- **If the mains connecting cable is damaged, it may only be replaced by the manufacturer. If the drive has a plug-in connecting cable, it must be replaced with the same type of mains connecting cable, which is available from the drive manufacturer.**

Attention

Safety instructions for avoiding property damage.

- **Ensure that there is adequate clearance between moving parts and adjacent objects.**
- **The drive must not be carried by the mains connecting cable.**
- **All latching connections and fastening screws on the brackets must be checked to ensure that they are secure.**
- **Ensure that nothing rubs against the tubular drive, such as shading solution attachments, screws, etc.**



Intended use

The type of tubular drive described in these instructions is intended solely for the operation of roller shutters.

For sun protection applications, please use only the types of tubular drive designed for this purpose.

This type of tubular drive is designed for use in single systems (one drive per barrel).

The tubular drive must not be used in potentially explosive areas.

The connecting cable is not suitable for transporting the drive. Always carry the drive by the housing tube.

Other applications, uses and modifications are not permitted in order to protect the safety of the users and others, since these actions can impair the system's safety and carry the risk of personal injury and property damage. The drive manufacturer does not accept liability for damages or injury arising from such actions.

Always observe the information in these instructions when operating or repairing the system. The drive manufacturer does not accept liability for damage or injury resulting from improper usage.

Drive version with angled plug

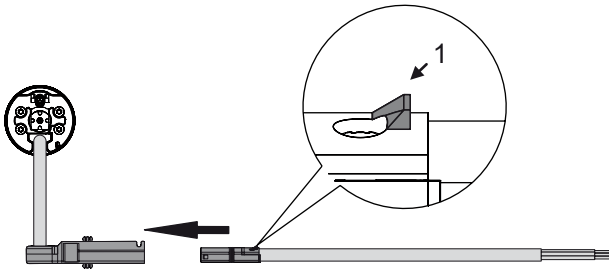


Caution

The power supply to the connecting cable must be disconnected prior to assembly/disassembly.

Assembling the plug-in connecting cable for tubular drives with angled plug

Ø35/Ø45/Ø58



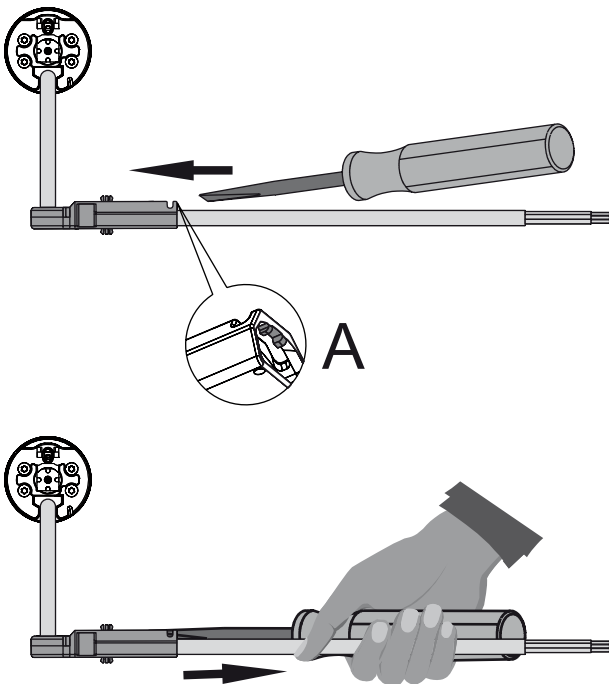
1 = locating lug

Plug the **dead** connecting cable into the angled plug until the locating lug clicks into place in the angled plug. If necessary, use a suitable flathead screwdriver to assist with insertion. Set the screwdriver into one of the two grooves on the plug-in connecting cable provided for this purpose.

Check that the cable is properly engaged.

Disassembling the plug-in connecting cable for tubular drives with angled plug

Ø35/Ø45/Ø58



A = locating latch

Insert a suitable flathead screwdriver right into the recess of the locating latch, so that the latch releases the locating lug from the plug.

Now you can pull out the connecting cable along with the flathead screwdriver.

Installation

Assembling the drive

Attention

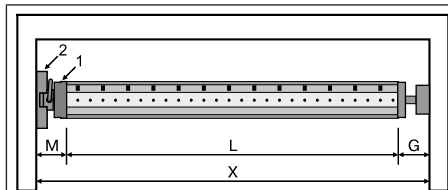
To connect the drive to the driven part, solely mechanical accessory components made by the drive manufacturer from the current product catalogue may be used.

Prior to mounting, the fitter must ensure that the masonry and the system being motorised are sufficiently robust (drive torque plus weight of the shading solution).



Caution

Electrical connections may only be carried out by a qualified electrician. Prior to assembly, the power supply must be disconnected and secured. Please give the enclosed connection information to the responsible electrical contractor.



Calculate the space required at the side (M) by measuring the drive head (1) and wall bracket (2). The clear dimension of the box (X) minus the space required at the side (M) and idler (G) gives the length (L) of the barrel: $L=X-M-G$.

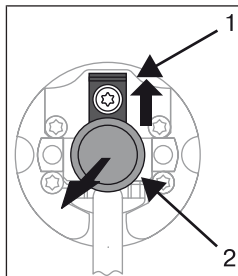
The space required at the side (M) varies depending on the combination of drive and wall bracket.

Then mount the wall bracket and idler. Ensure that the barrel is aligned at right angles to the wall and that sufficient axial play is allowed for the mounted system.

Attention

When using rigid shaft connectors, closed brackets must be fitted. The tubular drive presses the closed curtain down to make it difficult for people to reach under it or raise it. Only use curtains made of sufficiently strong material, such as aluminium, steel or wood. To prevent damage to the curtain it must run in guide tracks from top to bottom.

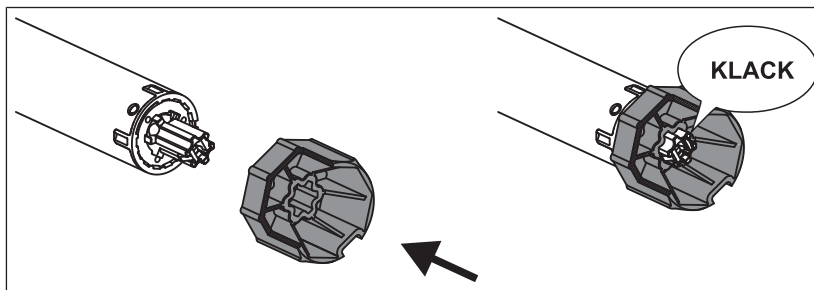
Undoing the mounting pin



When pushed in, the mounting pin (2) locks automatically. To undo the mounting pin (2), push the tab washer (1) upwards and pull out the mounting pin (2).

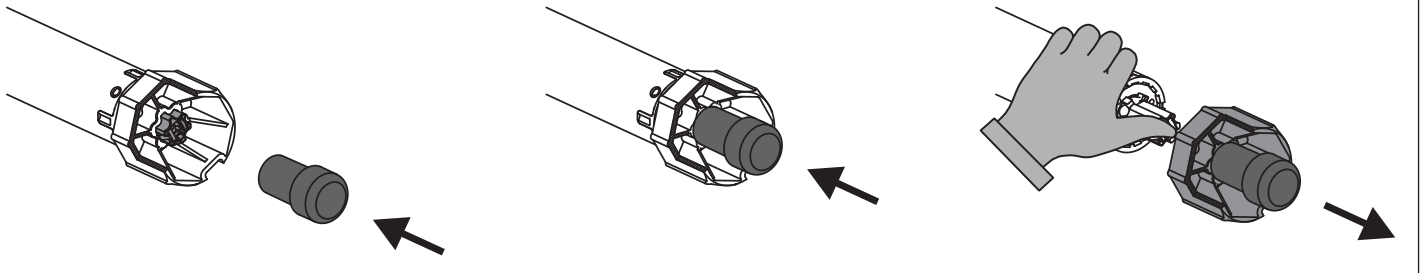
Drive adapter safety catch

Assembling the drive adapter with safety catch on the drive shaft

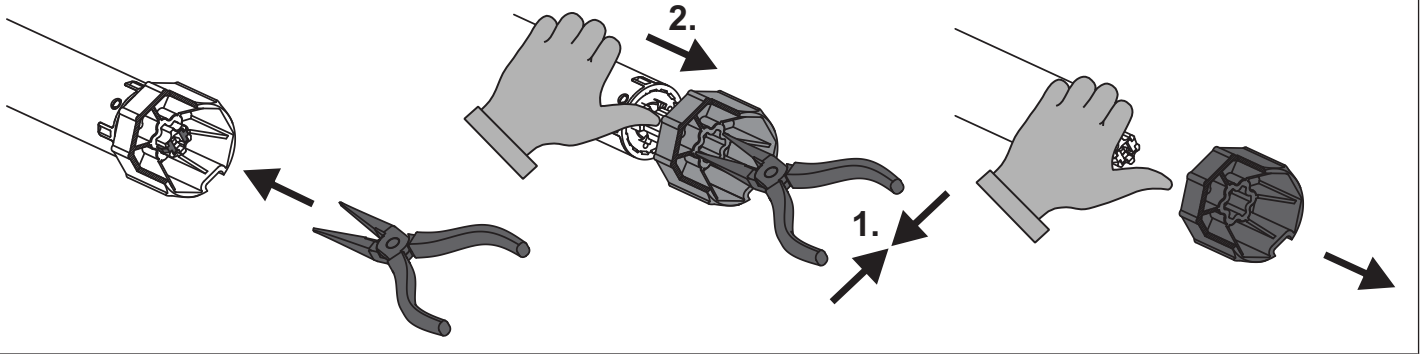


Disassembling the drive adapter with safety catch on the drive shaft

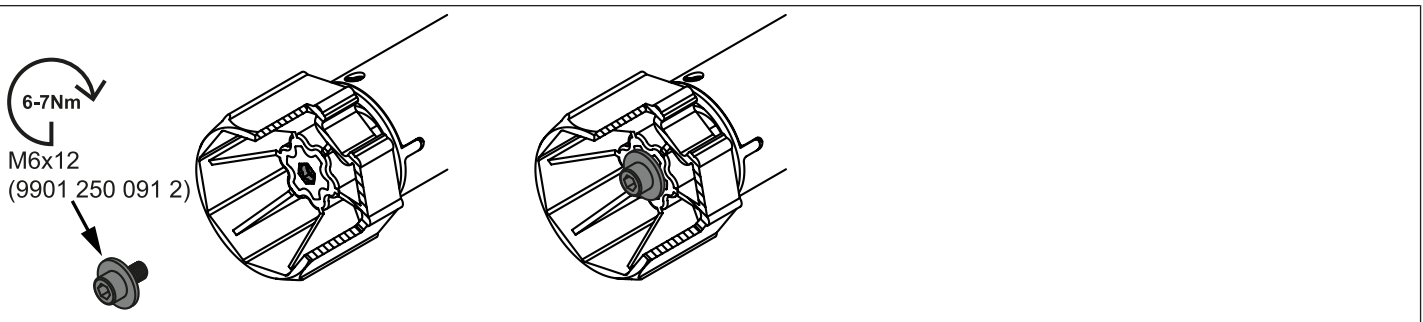
Disassembly with disassembly tool, Item no. 4930 300 606 0



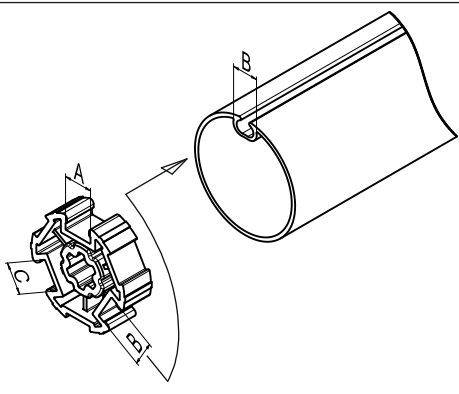
Disassembly with long nose pliers



Assembling and disassembling the drive adapter with screw connection

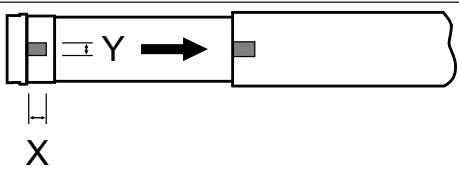


Mounting the drive in the tube



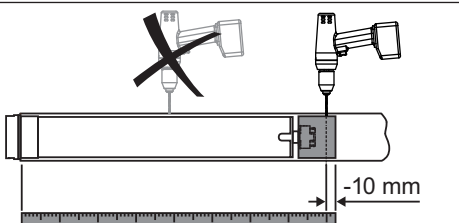
For profile tubes:

In the case of some drive adapters, tolerances of the groove widths in different barrels can be offset by rotating the drive adapter into a different groove recess. These groove recesses have different sizes and allow the drive to fit exactly.



For round shafts:

Measure the lug of the thrust ring (X, Y). Then notch the tube on the motor side, so the lug of the thrust ring can also be pushed into the shaft. There must be no play between the lug of the thrust ring and the shaft.



To ensure secure torque transmission for round shafts, we recommend screwing the drive adapter to the shaft (see the table below).

Attention! When drilling into the barrel, never drill near the tubular drive!

Size of drive [mm]	Drive adapter	Torque max. [Nm]	Fastening screws (4 units)
dia. 35-dia. 45	All	Up to 50	Self-tapping screw dia. 4.8 x 9.5 mm

We also recommend screwing the idler to the barrel.

Attention

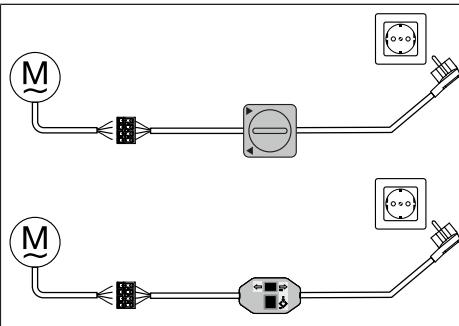
Do not hammer the tubular drive into the tube or drop it into the barrel! The curtain can only be secured using springs or rigid shaft connectors. We recommend at least three pieces per metre of barrel.



Assemble the tubular drive with the relevant ring (1) and drive adapter (2). If the ring has several grooves, select the groove which is a perfect fit and push the ring (1) onto the thrust ring.

Insert the tubular drive with the pre-assembled ring (1) and drive adapter (2) into the tube to achieve a form fit. Ensure that the ring and drive adapter are secure in the tube.

Mount the assembled unit comprising barrel, tubular drive and idler on the box and secure the drive with a split or spring pin according to the type of wall bracket fixing.



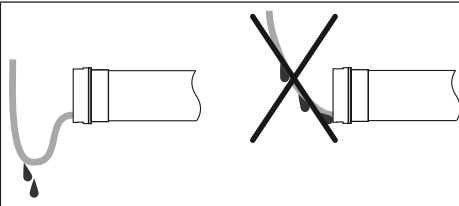
Automatic setting of limit positions is possible, where a stop system is present on both sides, using the rotary switch set (Item no. 4901 001 158 0), a standard rotary switch or the programming unit for drives with electronic limit switching (Item no. 4935 200 011 0). All other functions can only be set via the programming unit.

Connect the wires of the tubular drive to those of the same colour in the programming/operator control and switch on the power supply.

Position the barrel so that the roller shutter curtain can be attached with springs or fit the rigid shaft connectors in accordance with the manufacturer's instructions.

Attention

The switch and the programming unit are only meant for the commissioning, not for continuous operation!



Lay the connecting cable

Lay the connecting cable up to the tubular drive, and fix The connecting cable and any antennae must not project into the winding chamber. Cover any sharp edges.



Setting the limit positions

Intelligent installation management

Completion of installation following automatic setting of limit position "Stop"

The drive saves the limit position "Stop" permanently once the it has been reached 3 times in succession. Installation is then complete.



If the tubular drive switches off prematurely while opening or closing, due to an obstruction, the obstruction can be cleared by reversing a short way and removing the obstruction. The desired limit position can be set by opening/closing again.

Lower stop to upper stop

Attention

Rigid shaft connectors must be fitted for this limit position setting.

▼	Move to the permanent lower stop without interruption. <ul style="list-style-type: none">▸ The tubular drive switches off automatically.
▲	Then open to the permanent upper stop. <ul style="list-style-type: none">▸ The tubular drive switches off automatically.▶ The limit positions are now set.

Upper stop to lower stop

▲	Open to the permanent upper stop. <ul style="list-style-type: none">▸ The tubular drive switches off automatically.
▼	Then close to the permanent lower stop without pausing. <ul style="list-style-type: none">▸ The tubular drive switches off automatically.▶ The limit positions are now set.

Deleting the limit positions using the programming unit



Connect the wires of the tubular drive to those of the same colour in the programming unit and switch on the power supply. Please pause for 1 sec after the last drive command before beginning the deletion sequence. Also leave a pause of 1 sec between the individual steps of the deletion sequence.

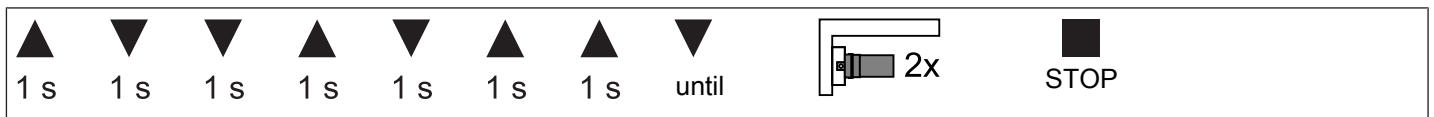
<div style="display: flex; justify-content: space-around; align-items: center;"> </div> <div style="display: flex; justify-content: space-between; margin-top: 10px;"> <div style="text-align: center;">black </div> <div style="text-align: center;">black </div> </div> <div style="display: flex; justify-content: space-between; margin-top: 5px;"> <div style="text-align: center;">brown </div> <div style="text-align: center;">brown </div> </div> <div style="display: flex; justify-content: space-between; margin-top: 5px;"> <div style="text-align: center;">blue </div> <div style="text-align: center;">blue </div> </div> <div style="display: flex; justify-content: space-between; margin-top: 5px;"> <div style="text-align: center;">green-yellow </div> <div style="text-align: center;">green-yellow </div> </div>	<div style="text-align: center; margin-bottom: 20px;"> <p style="margin: 0;">Programming button → ← Travel button</p> </div> <table border="1" style="width: 100%; border-collapse: collapse;"> <tr> <td style="width: 20%; text-align: center; vertical-align: middle;"></td> <td>Press the programming button and keep it pressed.</td> </tr> <tr> <td style="text-align: center; vertical-align: middle;"></td> <td>Then press down the travel button and keep it pressed.</td> </tr> <tr> <td style="text-align: center; vertical-align: middle;"></td> <td>Now release the programming button, but continue to keep the travel button pressed.</td> </tr> <tr> <td style="text-align: center; vertical-align: middle;"></td> <td> Next press the programming button again. <ul style="list-style-type: none"> ▶ The tubular drive acknowledges. ▶ Both limit positions are deleted. </td> </tr> </table>		Press the programming button and keep it pressed.		Then press down the travel button and keep it pressed.		Now release the programming button, but continue to keep the travel button pressed.		Next press the programming button again. <ul style="list-style-type: none"> ▶ The tubular drive acknowledges. ▶ Both limit positions are deleted.
	Press the programming button and keep it pressed.								
	Then press down the travel button and keep it pressed.								
	Now release the programming button, but continue to keep the travel button pressed.								
	Next press the programming button again. <ul style="list-style-type: none"> ▶ The tubular drive acknowledges. ▶ Both limit positions are deleted. 								

Deleting the limit positions with a rotary switch or a locking button



The switching commands sequence must be carried out in quick succession.

Carry out the following deletion sequence without interruption between the individual drive commands:



The tubular drive acknowledges.
Both limit positions are deleted.



Obstruction detection / Blockage detection



Caution

Please note that the drive must be pushed in to the shaft as far as the band of the thrust ring.

Use of the drive's obstacle detection system as personal protection is not permitted. It has been designed exclusively to protect the roller shutters or sun protection system from being damaged.

If the drive is correctly installed, it switches off when it detects obstructions or shutter faults.

In the DOWN direction (Obstruction detection)

A curtain jam when closing due to objects on the window sill or sticking of the lateral guide tracks.

In the UP direction (Blockage detection)

Extremely large increase in the load (e.g., frozen end strip on the window sill)

To avoid overly sudden deactivation during closing, the drive only responds to an obstruction one or two revolutions after the impact.

Information for the electrician

Tubular drives with electronic limit switching can be connected in parallel. The maximum switching contact load of the switching equipment (timer, relay control, switch, etc.) must be observed. To operate drives with electronic limit switching, only use switching elements (timers) that are **not** earthed via the drive. The outputs of the switching element must be potential-free in the neutral position.

Use external conductor L1 to control the up and down direction. Other devices or consumers (lamps, relays, etc.) must not be directly connected to the drive connecting cables. For this purpose, the drives and additional devices must be decoupled by relay controls.

When installing the drive, all-pole disconnection from the mains with a contact gap of at least 3 mm per pole must be provided.

Attention

Only use mechanically or electrically locked switching elements with a marked zero position! This also applies when drives with electronic and mechanical limit switching are used in the same system. The changeover time for switching the running direction must be at least 0.5 s. The switch and control must not execute simultaneous UP and DOWN commands. Protect the electrical connections from damp.

Once you have finished wiring everything to the control, ALWAYS check the right direction assignment of the drive to the control buttons UP and DOWN, EXTEND and RETRACT.

If the drive is to be operated with devices which contain sources of interference, the electrician must ensure suitable interference suppression for the relevant devices.

Disposal

This product is made of various materials which must be disposed of properly. Find out about the applicable regulations on recycling or disposal for this product in your country.

The packaging material must be disposed of properly.

Maintenance

These drives are maintenance-free.

Technical data dia. 45

Tubular drive	R8-17	R12-17	R20-17	R30-17
Model	E26			
Type	RO V1			
Rated torque [Nm]	8	12	20	30
Output speed [rpm]	17			
Limit switch range	64 revolutions			
Supply voltage	230 V AC / 50 Hz			
Connected load [W]	100	110	160	205
Rated current consumption [A]	0.45	0.50	0.75	0.90
Operating mode	S2 4 min			
Degree of protection	IP 44			
Min. tube inside diameter [mm]	47			
Emission sound pressure level [dB(A)]	≤ 70			

What to do if...?

Problem	Remedy
The roller shutter curtain is raised unevenly or not at all.	Repair system; then re-program limit positions.
Tubular drive overruns the limit position or does not reach the set limit position.	Repair electrical installation; re-program limit positions.
	Check electrical installation; remove external devices; reset limit positions.
	Stops have broken off or one or several attachments are broken. Repair system; reset tubular drive, then re-program limit positions.
Tubular drive stops arbitrarily; cannot be restarted in the same direction.	Use a more powerful tubular drive.
	Ensure that the system runs smoothly.
	Delete limit positions, then re-program limit positions.
Tubular drive does not run in the right direction.	Tubular drive is overheated. The tubular drive is operational again after a few minutes.
	Clear and remove the blockage and set the drive in the direction required.
	Check the electrical connection.
During the programming run, the drive stops short of the limit position to be programmed.	For safety reasons, the drive reacts sensitively to sluggishness during the programming run, in order to prevent damage. Briefly run curtain DOWN and subsequently UP until you reach the upper limit position.

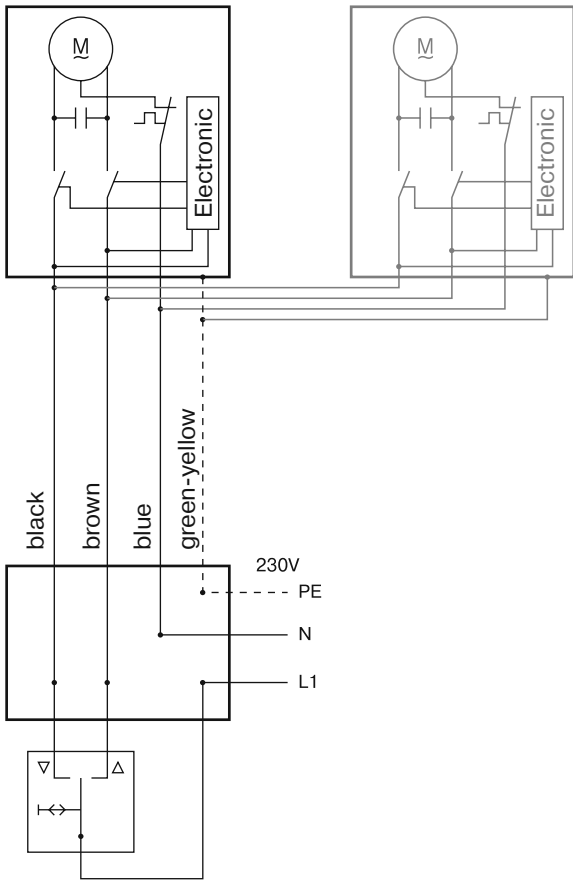


Sample wiring diagrams

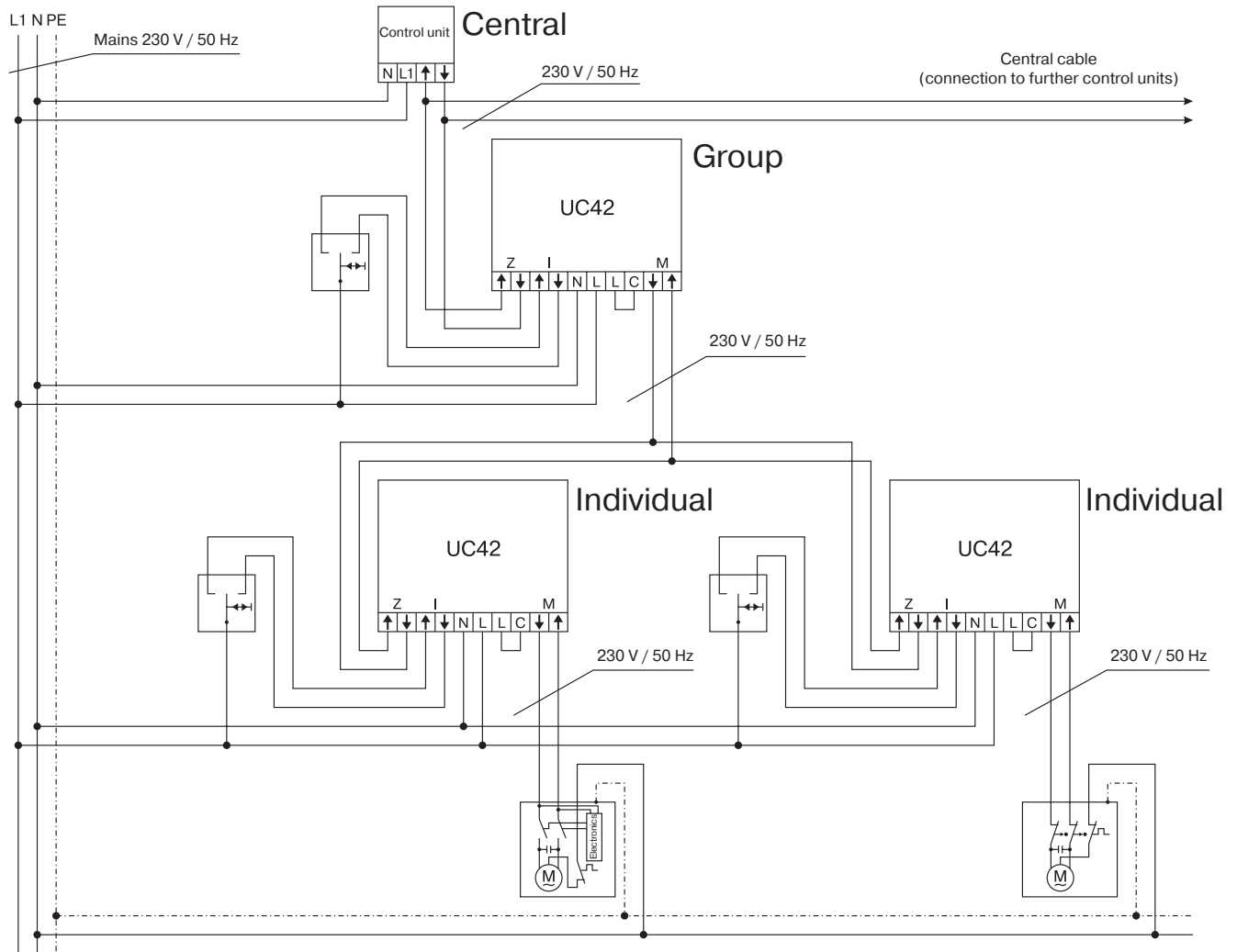


The assignment of the black and brown wires according to the direction of travel is dependant on how the drive is installed (mounted to the right or to the left).

Controlling one/several drive(s) via a single switch/button



Central, group and individual control using Centronic UnitControl UC42



Declaration of conformity

BECKER-ANTRIEBE GMBH
Friedrich-Ebert-Str. 2 – 4
35764 Sinn, Germany



BECKER

- Original -

EU Declaration of Conformity

Document No./Month . Year: **K001/12.20**

We hereby declare that the following product series

Product designation: **Tubular motor**

Type designation: **P3/30.., P4/16.., P4/17.., P5/16.., P5/30.., P5/20.., P9/16.., P13/9.., R4/17.., R7/17.., R7/85.., R8/17.., R12/11.., R12/17.., R15/17.., R20/11.., R20/17.., R25/17.., R30/11.., R30/17.., R40/11.., R40/17.., R50/3,5.., R50/11.., L44/14.., L50/11.., L50/17.., L60/11.., L60/17.., L70/17.., L80/11.., L80/17.., L100/11.., L120/11..**

Version: **C, EVO, M, HK, R, S, F, P, E, O, SMI, A0...Z9, mute, +**

From serial number: **from 205000001**

complies with the applicable regulations of the following Directives:

Directive 2006/42/EC (MD) L157, 09.06.2006

Directive 2014/30/EU (EMC) L96, 29.03.2014

Directive 2011/65/EU (RoHS) L174, 01.07.2011

Furthermore, the safety objectives of the **Low Voltage Directive 2014/35/EU** as per Appendix I No.1.5.1 of Directive 2006/42/EC have been met.

Applied standards:

DIN EN 60335-1:2020

EN 60335-2-97:2017

EN 61000-6-1:2019

EN 61000-6-3:2012

EN 14202:2004

Authorised party for the compilation of the technical documentation:

Becker-Antriebe GmbH, Friedrich-Ebert-Str. 2 – 4, 35764 Sinn, Germany

This declaration of conformity was issued:

Sinn, 04.12.2020

Place, Date


Dipl.-Ing. Andie Wissing, Management

This declaration certifies compliance with the Directives cited but does not represent any assurance of characteristics. The safety warnings in the supplied product documentation must be observed!

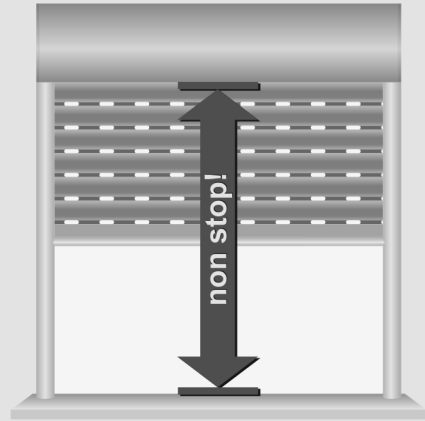
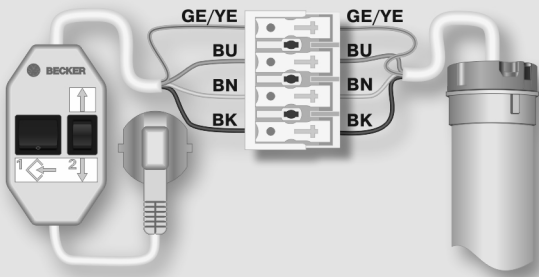
K001_en



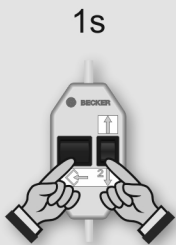


Initial setup - tubular drive - Type E26

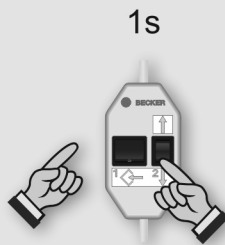
Mechanical End Limit Position



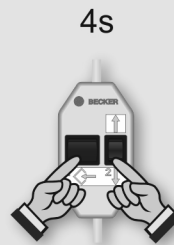
Deleting End Limit Position



1s



1s

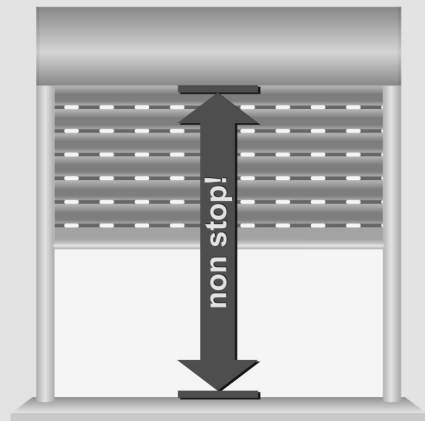


4s

2 x click !



Mechanical End Limit Position



Deleting End Limit Position



1s



1s



1s



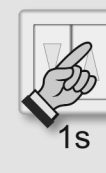
1s



1s



1s



1s



6s

2 x click !

